

Operating manual

Lubricator

LUC+125, battery version, time-controlled



Sales department

WITTENSTEIN alpha GmbH

Walter-Wittenstein-Straße 1
D-97999 Igersheim
Germany

Customer Service department

In the event of technical questions, contact the following address:

		✉	☎
Deutschland	WITTENSTEIN alpha GmbH	service@wittenstein-alpha.de	+49 7931 493-12900
Benelux	WITTENSTEIN BVBA	service@wittenstein.biz	+32 9 326 73 80
Brasil	WITTENSTEIN do Brasil	vendas@wittenstein.com.br	+55 15 3411 6454
中国	威腾斯坦（杭州）实业有限公司	service@wittenstein.cn	+86 571 8869 5856
Österreich	WITTENSTEIN GmbH	office@wittenstein.at	+43 2256 65632-0
Danmark	WITTENSTEIN AB	info@wittenstein.dk	+45 4027 4151
France	WITTENSTEIN sarl	info@wittenstein.fr	+33 134 17 90 95
Great Britain	WITTENSTEIN Ltd.	sales.uk@wittenstein.co.uk	+44 1782 286 427
Italia	WITTENSTEIN S.P.A.	info@wittenstein.it	+39 02 241357-1
日本	ヴィッテンシュタイン株式会社	sales@wittenstein.jp	+81-3-6680-2835
North America	WITTENSTEIN holding Corp.	technicalsupport@wittenstein-us.com	+1 630-540-5300
España	WITTENSTEIN S.L.U.	info@wittenstein.es	+34 93 479 1305
Sverige	WITTENSTEIN AB	info@wittenstein.se	+46 40-26 50 10
Schweiz	WITTENSTEIN AG Schweiz	sales@wittenstein.ch	+41 81 300 10 30
台湾	威腾斯坦有限公司	info@wittenstein.tw	+886 3 287 0191
Türkiye	WITTENSTEIN Güç Aktarma Sistemleri Tic. Ltd. Şti.	info@wittenstein.com.tr	+90 216 709 21 23

Copyright

© **WITTENSTEIN alpha GmbH 2022** reserves all rights for layout and corporate design.

© **DLS Schmiersysteme GmbH 2022** reserves all rights for content and text.

This documentation is protected by copyright.

WITTENSTEIN alpha GmbH and **DLS Schmiersysteme GmbH** reserve all rights to photo-mechanical reproduction, copying, and the distribution by special processes (such as computers, file media, data networks), in whole or in part.

Subject to technical and content changes without notice.

Table of contents

1	About this manual	3
1.1	Information symbols and cross references	3
1.2	Scope of delivery	3
2	Safety	3
2.1	EC/EU Directive	3
2.2	Personnel	3
2.3	Intended use	4
2.4	Reasonably foreseeable misuse	4
2.5	Guarantee and liability	4
2.6	General safety instructions	5
2.7	Structure of warning instructions	5
2.7.1	Safety symbols	5
2.7.2	Signal words	6
3	Description of the lubricator	7
3.1	Overview of lubricator components	7
3.2	Name plate and labeling	7
3.3	Marking	8
3.4	Ordering codes	8
3.5	Dimensions	8
3.6	Scope of delivery	8
3.7	Technical data	9
3.8	Lubricants	10
3.9	Cord lengths	10
4	Transport and storage	10
4.1	Transport	10
4.2	Storage	10
5	Assembly	11
5.1	Preparations	11
5.2	Mounting the lubricator	11
5.3	Connecting the prefilled hose	12
5.4	Electrical interface connection	12
6	Startup and operation	13
6.1	Operation and settings	13
6.1.1	General	13
6.1.2	Factory settings	13
6.1.3	Actions with magnetic pen	14
6.2	Menu and display messages	14
6.3	Selection of parameters t and c	16
6.3.1	Menu structure	17
6.4	Error messages	18

6.5	Switching the lubricator on/off.....	20
6.6	Parameter change in standard menu (Pro).....	20
6.7	Triggering single lubrication cycle.....	21
6.8	Triggering the filling function (venting/filling).....	21
6.9	Changing parameters in the "Advanced programming" menu.....	22
7	Output signals – Time control	23
7.1	Connection assignment – Time control.....	23
7.2	Output signals / Display messages – Time control	23
7.3	Standard output signals at PIN 4 – Time control	24
7.3.1	Empty cartridge signal	24
7.3.2	High-signal output (+24 V) at PIN 4.....	24
7.3.3	Low-signal output (0 V) at PIN 4.....	24
8	Maintenance and disposal	25
8.1	Maintenance schedule	25
8.1.1	Visual inspection.....	25
8.1.2	Cleaning	25
8.1.3	Changing the cartridge and battery	26
8.2	Recommissioning	28
8.3	Disposal	28
9	Appendix.....	29
9.1	EC/EU declaration of conformity.....	29

1 About this manual

This manual contains information which is necessary for the safe use of the LUC+125 (FlexxPump 125), battery version (time-controlled), hereinafter referred to as lubricator.

If this manual is supplied with amendment sheets (e.g. for special applications), then the information in the amendment is valid. Contradictory specifications in this manual are therefore void.

The user should contact **WITTENSTEIN alpha GmbH** with any questions about special applications. The actual operator must guarantee and ensure that this manual including any amendments are read and understood by all persons assigned to install, operate, or maintain the lubricator. For this reason, keep this manual in a suitable and ideally accessible location near the lubricator.

Inform colleagues who work in the area around the machine about the safety instructions so that no one sustains injuries.

The original was written in German, all other language versions are translations of the original manual.

1.1 Information symbols and cross references

The following information symbols are used:

- Indicates an action to be performed
- Ü Indicates the results of an action
- i Provides additional handling information

A cross reference refers to the chapter number and the header of the target section (e.g. 2.3 "Intended use").

A cross reference to a table refers to the table number (e.g. Table "Tbl - 1").

1.2 Scope of delivery

- Check the completeness of the delivery against the delivery note.
- i Immediately notify the carrier, the insurance company, or **WITTENSTEIN alpha GmbH** in writing of any missing parts or damage.
- i

2 Safety

This manual, especially the safety instructions and the rules and regulations valid for the operating site, must be observed by all persons working with the lubricator. General legal rules and regulations as well as applicable rules and regulations on prevention of accidents [e.g. personal protective equipment (PPE)] and environmental protection must be observed.

2.1 EC/EU Directive

In scope of the EC/EU Directive, commissioning (recommissioning) of a machine at which the lubricator was installed and/or attached is prohibited until it is verified that the machine complies with all provisions of the applicable regulation.

An EC/EU declaration of conformity for this lubricator can be found in the appendix (see chapter 9.1 "EC/EU declaration of conformity").

2.2 Personnel

Only technicians who have read and understood this operating manual may perform work on the lubricator. Local and/or company regulations apply accordingly.

2.3 Intended use

For the intended use of the lubricator, the following points must be observed:

- The lubricator is approved only for industrial applications.
- The lubricator may only be put into operation according to the technical specifications (see chapter 3.7 "Technical data").
- Unauthorized modifications to the lubricator are not permitted.
- Read and observe the operating manual.
- During operation of the lubricator, regular visual inspections must be carried out at the lubricator itself as well as the lubrication point. Any irregularities and their cause must be corrected immediately.
- The cartridge must not be refilled.
- The lubricator must not be opened or dismantled.
- Only lubricants which are approved by **WITTENSTEIN alpha GmbH** may be used.
- Applicable rules and regulations on occupational safety, prevention of accidents and environmental protection must be observed.
- Any works or tasks with or at the lubricator may only be carried out with authorization (see chapter 2.2 "Personnel").

Any use other than the previously described intended use or non-compliance with one of the points specified above is regarded misuse. In this case no liability or warranty claims will be assumed.

2.4 Reasonably foreseeable misuse

Any usage of the lubricator that exceeds the maximum permitted technical data is considered misuse and is therefore prohibited.

2.5 Guarantee and liability

Any guarantee and liability claims are excluded for personal injury and/or material damage in case of:

- Ignoring the information on transport and storage;
- Misuse;
- Improper or not carried out maintenance and repair;
- Incorrect assembly / disassembly or incorrect operation;
- Operation of the lubricator when safety devices and equipment are defective;
- Operation of the lubricator without lubricant;
- Operation of the lubricator with non-approved lubricant;
- Operation of a heavily contaminated lubricator;
- Modifications or changes without written approval by **WITTENSTEIN alpha GmbH**;
- Opening and/or partly or complete dismantling of the lubricator.

2.6 General safety instructions

The operation of the lubricator involves remaining risks even when adhering to the intended use.

Defective or faulty electrical connections or unapproved, current-carrying components can cause serious injuries and even death.

- Have all electrical connection work performed by qualified technicians only.
- Immediately replace damaged cords or plugs.

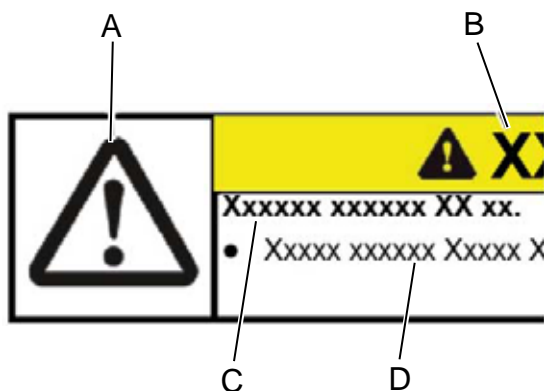
Loose or overtightened screw connections can cause damage to the lubricator:

- Mount and check all screw connections according to the specified admissible tightening torques. Use a calibrated torque wrench.

Lubricants are flammable, can cause skin irritation, and can contaminate soil and water:

- In case of fire, do not use a jet of water to extinguish.
- In case of fire, only use suitable extinguishing agents such as powder, foam or carbon dioxide.
- Always observe the applicable safety instructions by the lubricant manufacturer on the safety data sheet of the used lubricant.
- Use protective gloves to avoid direct skin contact with lubricants.
- Use and dispose of lubricants properly.

2.7 Structure of warning instructions



Warning instructions are situation-specific. They will be precisely where tasks are described in which dangers can arise.

The warning instructions in this manual are designed according to the following pattern:

A = safety symbol

B = signal word

C = Type and consequence of the danger

D = Avoiding the danger

2.7.1 Safety symbols

The following safety symbols are used to indicate hazards, prohibitions and important information:



General danger



Electric voltage



Flammable



Environment

2.7.2 Signal words

	<p style="text-align: center;">⚠ DANGER</p> <p>This signal word indicates an imminent danger that will cause serious injuries or even death.</p>
	<p style="text-align: center;">⚠ WARNING</p> <p>This signal word indicates a potential hazard that could cause serious injuries and even death.</p>
	<p style="text-align: center;">⚠ CAUTION</p> <p>This signal word indicates a potential hazard that could cause minor or serious injuries.</p>
	<p style="text-align: center;">NOTICE</p> <p>This signal word indicates a potential hazard that could lead to property damage.</p>

3 Description of the lubricator

The lubricator is designed as a highly compact double piston pump for grease as lubricant. The two pistons run force-controlled and in opposing directions. They are both connected to the same outlet. The outlet is secured by an integrated check valve. At each dispensing cycle, approx. 0.15 cm³ of lubricant are dispensed. Multiple subsequent dispensing processes can be set.

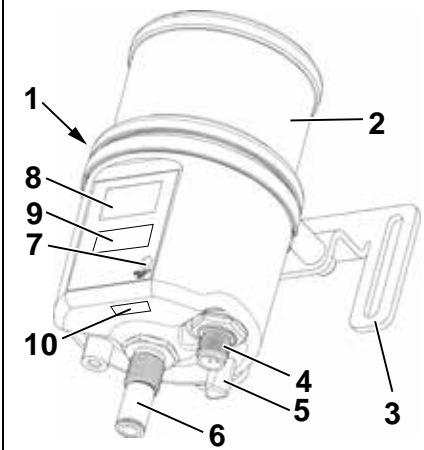
The lubricator features an electrical interface. The included magnetic pen allows for the lubrication amount dispensed per time to be adjusted or set to ensure ideal supply of lubricant to the lubrication point.

The different operating states are displayed at the front as well as other additional information (e.g. empty cartridge, errors).

The power supply is established via a replaceable battery. The lubricator can be switched on/off via the M12x1 interface. An external power supply can also be used to transmit information about an empty cartridge as well as error messages, e.g. to an external control system.

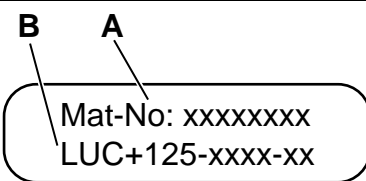
We recommend the battery-powered lubricator exclusively for stand-alone lubrication points which do not have to be monitored externally or which may not be supplied with external power. Owing to its increased operational reliability and the expanded settings options for emitting signals, the 24V-DC version is the better choice in terms of technology and economic efficiency, if information about an empty cartridge and error messages are to be transmitted to a control system (e.g. PLC). You can obtain further information about an existing product from **WITTENSTEIN alpha GmbH** directly.

3.1 Overview of lubricator components

	Pos.	Designation
	1	LUC+125, battery version, time-controlled
	2	Exchange cartridge LUE+125
	3	Assembly bracket
	4	Interface M12x1, 4-pole
	5	Magnetic pen (in holder)
	6	Hose connection
	7	Action field
	8	Display
	9	Name plate
	10	CE symbol
	-	Battery

Tbl - 1 Overview of lubricator components

3.2 Name plate and labeling

	Pos.	Designation
	A	Material number
	B	Ordering codes (see chapter 3.4 "Ordering codes")

Tbl - 2 Name plate

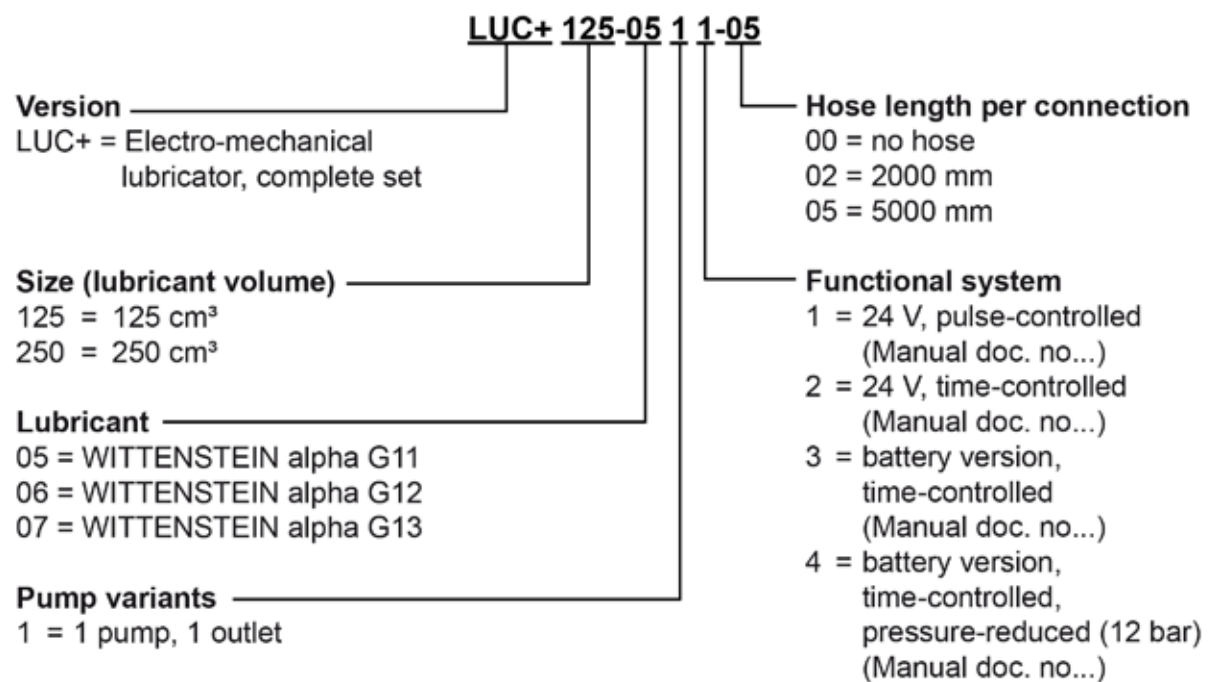
3.3 Marking

The CE mark is attached to the lubricator housing. The position of the CE mark is described in chapter 3.1 "Overview of lubricator components".

Manufacturer

DLS Schmiersysteme GmbH
 Gewerbering 5
 82140 Olching, Germany
 Tel.: +49-(0)8142-65069-0
 Fax: +49-(0)8142-65069-29
 Email: mail@DLS-Schmiersysteme.de
 www.DLS-Schmiersysteme.de

3.4 Ordering codes



3.5 Dimensions

Dimensions can be found

- in our catalog,
- under www.wittenstein-alpha.de.

CAD data and dimension sheets are available upon request.

3.6 Scope of delivery

The lubricator is available in different versions. They can be distinguished by the execution, the lubricant filling as well as the included accessories.

3.7 Technical data

Housing		
Dimensions without cartridge	83 x 96 x 85 (W x H x D)	mm
Dimensions with cartridge 125 cm ³	83 x 154 x 85 (W x H x D)	mm
Weight (without cartridge)	approx. 350	g
Assembly option	Assembly bracket with slotted holes pre-assembled. Bottom side: IG M5 (3 Nm)	
Mounting position	vertically	
Housing material	PA 6.6 GF30 / POM	
Outlet material	Stainless steel	
Operating temperature *	0 ... +60	°C
Lubricant and hydraulics		
Cartridge volume	125	cm ³
Lubricant properties	Grease up to NLGI, class 2	
No. of outlets	1	
Hydraulic connection	PA hose	
Max. pressure	50 (-10%/+15%)	bar
Dispensed volume	Per stroke 0.15 (-5%)	cm ³
Electrics		
Display	Display	
Operating voltage (DC)	4.5	V
Operating voltage (DC) of external status monitoring	24 (20V...28V)	V
Fuse protection	0.75 (slow)	A
Protection class	IP 54	
Power consumption	$I_{\max} < 0.3$ $I_{\text{bias}} < 0.025$	A
For further information on the electrical system, see chapter 7 "Output signals – Time control"!		
* Depending on the lubricant used		

TbI - 3 Technical data

3.8 Lubricants

Only use lubricants approved by **WITTENSTEIN alpha GmbH** in dedicated original cartridges exclusively developed for the lubricator.

The lubricants used depend on the individual application. The respective designation can be found on the label of the cartridge.

For further information about lubricants, documentation and safety data sheets, please contact **WITTENSTEIN alpha GmbH** directly.

3.9 Cord lengths

In general, the lubricator should be installed as closely as possible to the device to be supplied (lubrication point). Ideally, this should be directly at the lubrication point. If this is not possible due to space restrictions or reasons regarding accessibility, cords can be used between the lubricator and the lubrication point (e.g. distribution).

The maximum hose length depends on the temperature as well as the used grease, hoses and accessories.

4 Transport and storage


The lubricator is delivered in an outer packaging (cardboard box) and with a lubricant cartridge and other accessories in the same shipment. For protection against humidity and dirt, it is additionally packaged in PE foil. To prevent leakage of the prefilled lubricant from the lubricator, protective caps are installed at the lubricant inlet and outlet.

Dispose of the packaging materials at the recycling sites designated for this purpose in compliance with applicable national and operational regulations.

After receipt of the lubricator, check the completeness of the delivery against the delivery note.

Immediately notify the carrier, the insurance company, or **WITTENSTEIN alpha GmbH** in writing of any potentially missing parts or damage.

4.1 Transport

	<h3 style="margin: 0;">NOTICE</h3>
<p>Hard shocks, for instance because of falling or hard dropping, can damage the lubricator.</p> <ul style="list-style-type: none"> · Do not throw the lubricator. 	

4.2 Storage


Store the lubricator in its original packaging in vertical position under dry, frost-protected conditions at an ambient temperature of +5°C to +30°C. The maximum unopened storage time is 1 year.

For storage logistics, the "First-In-First-Out principle" (FiFo) is recommended.

5 Assembly

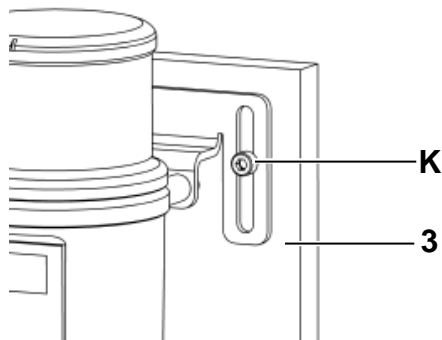
The lubricator is delivered with an inserted lubricant cartridge in vented condition as a ready-to-install component with an installed assembly bracket. The outlet is sealed with a yellow cap. The provided hose lines have already been prefilled with the respective lubricant.

5.1 Preparations

	NOTICE
	<p>Among other things, compressed air can lead to damage to the seals of the lubricator and to contamination of the lubricator or lubricant by dirt and particles.</p> <ul style="list-style-type: none"> · Do not use compressed air. · Make sure that the assembly location is not considerably contaminated.

5.2 Mounting the lubricator

	<ul style="list-style-type: none"> · Observe the safety and processing instructions for the threadlocker to be used.
--	---

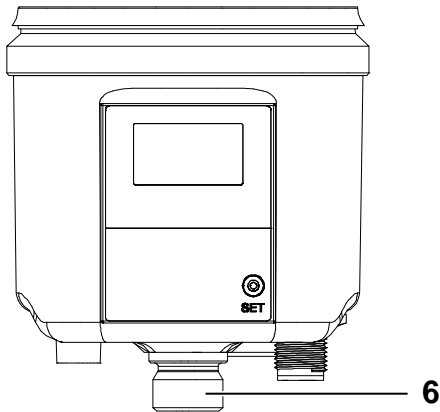


- Apply threadlocker (e.g. LOCTITE® 243) to the fastening screws [K].
- Install the lubricator with the pre-assembled assembly brackets [3] at the intended position. The slotted holes enable fine adjustment of the installation height.
- i The prescribed screw sizes and tightening torques can be found in the table "Tbl".

Hole spacing [mm]	Quantity x diameter [] x [mm]	For screw size / property class	Tightening torque [Nm]
95	2 x 6.6	M6 / 8.8	9.0

Tbl - 4 Through-holes in assembly bracket


5.3 Connecting the prefilled hose



- Remove the yellow closing cap.
- Screw in the provided hose connection [6].
 - i Max. tightening torque 2 Nm.
- Establish the hydraulic connection between the distributor and the lubricator [6]. Ensure that hoses and connection elements are tight and properly assembled.
 - i If possible, use the prefilled hoses included in the scope of delivery with the respective lubricant!

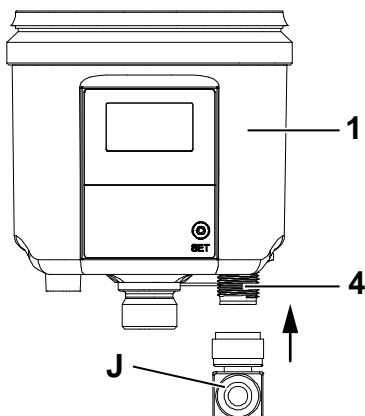
- i Further important instructions on how to connect the hose can be found in the separate manual "Prefilled high pressure hose" (doc. no. 2098-D072334). The manual is included in the scope of delivery of the hose or is available on request from **WITTENSTEIN alpha GmbH**. Always state the material number when doing so.

5.4 Electrical interface connection

	⚠ DANGER
<p>Defective or faulty electrical connections or unapproved, current-carrying components can cause serious injuries and even death.</p> <ul style="list-style-type: none"> · Have all electrical connection work performed by qualified technicians only. · Immediately replace damaged cords or plugs. · Observe the five safety rules of electrical engineering before starting electrical installation work: <ul style="list-style-type: none"> - Switch off the power supply. - Secure against unintended reactivation. - Check that there is no voltage. - Ground and short-circuit. - Cover adjacent and electrified parts. 	

The following work steps must only be carried out if you

- wish to switch the lubricator on and off externally.
- wish to retrieve error messages.



- Connect the lubricator [1] to the external power supply or control system with a suitable connection cord [J] via the M12x1 interface [4] at the bottom of the lubricator.
 - i Further information can be found in chapter 6.5 "Switching the lubricator on/off".
 - i Depending on the application, connection cords with straight or angled socket can be used.
 - i **For the properties of the connection cord, please refer to chapter 7.1 "Connection assignment – Time control".**

6 Startup and operation

- Read the general safety instructions before beginning to work (see chapter 2.6 "General safety instructions").
- Make sure that the lubricator is properly and fully assembled. In particular, the power supply must be connected, and a lubricant cartridge must be attached.

6.1 Operation and settings

6.1.1 General

What you should know about operation and setting of the lubricator:

- The lubricator is designed as an individual lubricator for one lubrication point.
- The lubricator is time-controlled and works time-based via the integrated microelectronics. Power is supplied from a battery. The lubricator cyclically delivers a defined amount of lubricant from the cartridge to the outlet.
- The re-lubrication amount is defined in months by the emptying time setting of the cartridge. Discharge times t of 1...24 month(s) and a number of cycles c of 1...10 can be set.
- The single-use changeable cartridges with a lubricant capacity of 125 cm³ ensure controlled and consistent quality of lubricants and are filled without any trapped air. The lubricator offers a reliable supply to lubrication points and prevents downtime of machinery. This version of the lubricator is designed for grease lubricants.
- The lubricator can be used without an external 24 V DC power supply. The lubricant cartridge is included in the scope of delivery and already installed in the lubricator.
- To call up the empty cartridge message or error messages, an external 24V-DC power supply is required.
- The respective conditions of the lubricator are shown on the display, which also enables recognition of the status by LEDs in different colors.
- In case of any questions regarding your applications and the correct settings for the lubricator, please contact **WITTENSTEIN alpha GmbH**.

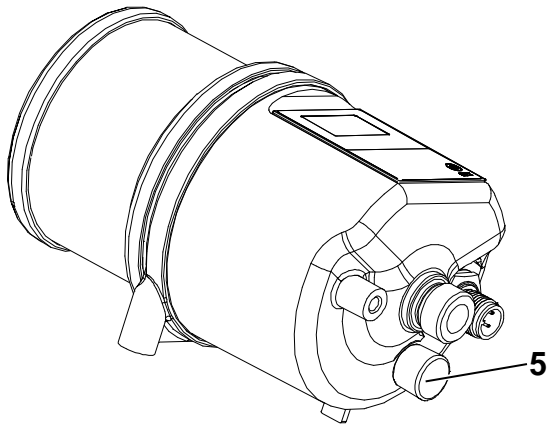
6.1.2 Factory settings

Parameter Program menu	Designation	Factory settings	Result
t	Emptying time	6	6 months
c	Number of cycles	2	2 pump strokes per lubrication (0.15 cm ³ / stroke)
P	Maximum pressure	35	35 bar
<p>The parameter <i>P</i> may only be changed after consultation. If you have any questions, please contact WITTENSTEIN alpha GmbH Sales / Customer Service.</p>			

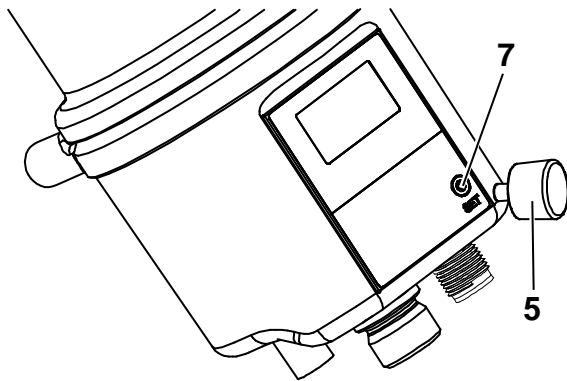
Tbl - 5 Factory settings

6.1.3 Actions with magnetic pen

The magnetic pen attached to the bottom of the lubricator allows to perform actions and changes of settings on the lubricator. This magnetic pen can be easily and safely stored permanently under the lubricator.



- Remove the magnetic pen [5] from the bottom of the lubricator.
- i The magnetic pen is permanently held magnetically in the receptacle on the bottom. Simply pull it out.



- Guide the magnetic pen [5] onto the action field SET [7] at the front of the lubricator.
- ü As soon as the magnetic pen is recognized by the lubricator when placed on the action field SET, the red LED lights up in the display. The menu changes at 2 second intervalls.
- Remove the magnetic pen from the action field SET when the desired menu item is shown on the display.
- ü The red LED is turned off. You have performed an action. The display flashes 2x briefly together with the green LED.

- After having performed the desired action or settings, insert the magnetic pen back into the receptacle provided on the bottom of the lubricator.

6.2 Menu and display messages

The display of the lubricator is used to show various kinds of information to the user.

Symbol	Designation	Notice
	Display information	The display visually shows information both during operation and for programming.

Tbl - 6 Display information

Display	Assignment
	Top LED: red
	Bottom LED: green

Tbl - 7 LED assignment

Information in display	Meaning		See chapter
No display	Battery not connected; battery completely empty		6.1
OFF	Lubricator switched off		6.5
ON	Lubricator switched on and ready for use		6.5
PRO	PRO menu		6.6
	c1 ... 10	Adjustable setting of the number of cycles <i>c</i>	
	01 ... 24	Adjustable setting of the discharge time <i>c</i>	
RUN	RUN menu		6.7
	01 ... 35	During the manually triggered active <i>run</i> command, the display shows the approximate counterpressure in bar. In addition, the green LED lights up.	
FIL	FIL menu		6.8
	01...35	During the manually triggered active <i>FIL</i> command, the display shows the approximate counterpressure in bar. In addition, the green LED lights up.	
	Clr	If the process is canceled during the <i>FIL</i> command, <i>Clr</i> is displayed.	
INF	INF menu		6.9
	A90	Firmware version of the lubricator	
	r01	Firmware version of the lubricator	
	t06	Currently set value of the discharge time <i>t</i>	
	c02	Currently set value of the number of cycles <i>c</i>	
	P35	Currently set maximum pressure <i>P</i>	
E1	Error <i>E1</i> (empty cartridge)		6.4
E2	Error <i>E2</i> (cartridge error / no cartridge fitted)		6.4
E3	Error <i>E3</i> (undervoltage)		6.4
E4/E5	Error <i>E4/E5</i> (fatal error)		6.4
E7	Error <i>E7</i> (overload)		6.4
01 ... 35	After each cycle, the maximum applied counterpressure during the cycle is displayed in bar.		

Tbl - 8 Display messages

6.3 Selection of parameters t and c

Discharge time t								
Month	1	3	6	10	12	15	20	24
Lubrication volume per month 125 (U12) [cm ³]	125	41.6	20.8	12.5	10.4	8.3	6.3	5.2

 Tbl - 9 Discharge time t for cartridge

Values for t are exemplary, values from 1 - 24 (24 V version) can be set.

Number of cycles c	1	2	3	4	5	6	7	8	9	10
Lubrication volume per cycle [cm ³]	0.15	0.3	0.45	0.6	0.75	0.9	1.05	1.20	1.35	1.5

 Tbl - 10 Number of cycles c , strokes per cycle

The discharge time t sets the period over which the total volume of lubricant per cartridge is delivered. Accordingly, this also determines how much lubricant is supplied per month.

The number of cycles c indicates how many strokes are performed per lubrication process and how much lubricant is supplied per lubrication process.

The time between two lubrication process (pause time) can be determined with the following formula:

$$T_{\text{Pause}} = t \times 720 \text{ h} \times c / H$$

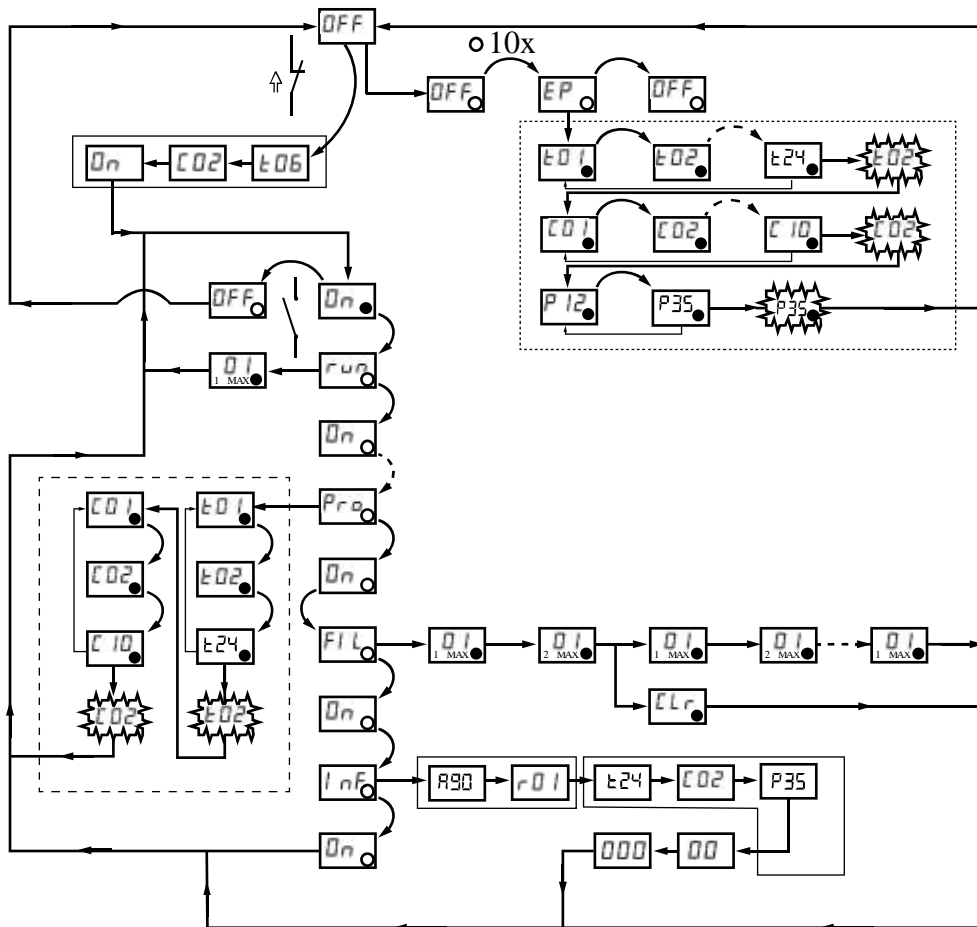
Using t in hours and H as the number of total strokes per cartridge (830, for cartridge 125 cm³) and a lubrication volume of 0.60 cm³ ($c4$) over 6 months, the following pause time is obtained as an example:

$$T_{\text{Pause}} = 6 \times 720 \text{ h} \times 4 / 830 = 20.9 \text{ h}$$

For above parameters t and c , the lubrication cycle is 21 hours. A lubrication volume of 0.60 cm³ is dispensed every 21 hours over a period of six months.

6.3.1 Menu structure

The following figure illustrates the complete menu structure of the lubricator.

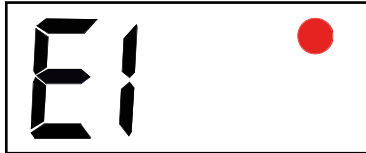
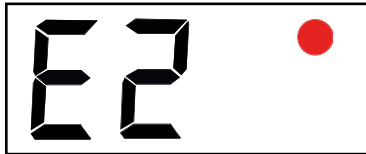



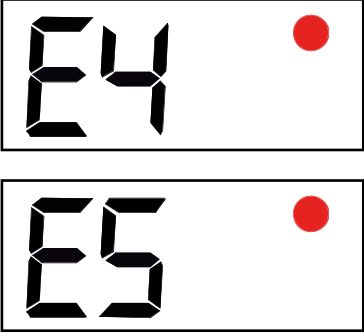
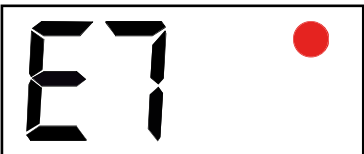
Symbol	Designation	Symbol	Designation
	Action by user, LED flashes red once	OFF	Lubricator is ready for operation but not switched on
	Action by user, LED flashes red several times	On	Lubricator is in operation
	Sequence/reaction in menu	run	Perform individual manual dosing operation
	LED in display flashes green	Pro	Programming
	LED in display flashes red	EP	Extended programming (only after consultation)
	Indicator in display flashes 2x		Advanced programming
	Firmware information		Lubricator is switched on via an external switch
	Programming (Standard menu)		Lubricator is switched off via an external switch

Tbl - 11 Menu structure

6.4 Error messages

The status is permanently monitored by the microelectronics integrated in the lubricator. In case of any irregularities, an addressed error message is issued and shown on the display. The red LED flashes every 5 seconds to visually indicate an error.

Display	Fault	Explanation	Remedy
	E1	Cartridge empty	<ul style="list-style-type: none"> · Place a new cartridge on the lubricator (see chapter 8.1.3 "Changing the cartridge and battery").
	E2	Cartridge error; cartridge not recognized or incorrectly fitted	<ul style="list-style-type: none"> i No need to acknowledge the error; it is automatically cleared after the corrective action is performed.
	E3	Battery very low	<ul style="list-style-type: none"> · Switch the lubricator off (<i>OFF</i>). · Replace the battery along with the cartridge (see chapter 8.1.3 "Changing the cartridge and battery"). · Switch the lubricator on (<i>ON</i>).

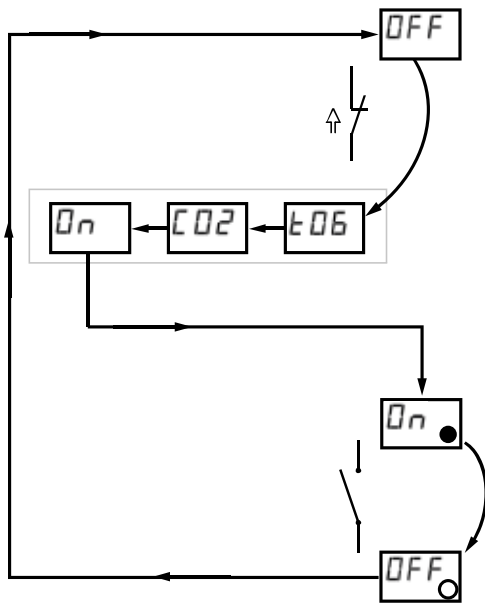
Display	Fault	Explanation	Remedy
	E4/E5	Fatal error	<p>The error <i>E4/E5</i> can have different causes:</p> <ul style="list-style-type: none"> • The motor is taking too long because the ambient temperature is too low. Check the temperature and adjust this if necessary. • Switch the lubricator off (<i>OFF</i>) and on again (<i>ON</i>). <p>Important! Between switching the lubricator off and on, 60 seconds must elapse.</p> <ul style="list-style-type: none"> - Battery very low, hence motor runtime too long • Switch the lubricator off (<i>OFF</i>). • Replace the battery along with the cartridge (see chapter 8.1.3 "Changing the cartridge and battery"). • Switch the lubricator on (<i>ON</i>). • If the error <i>E4 / E5</i> still persists, remove the lubricator from the application and return it with the lubricant cartridge and a description of the error to WITTENSTEIN alpha GmbH for investigation.
	E7	Overload; the counterpressure at the lubrication point is too high	<ul style="list-style-type: none"> • Check the lubrication point and eliminate the cause. • Switch the lubricator off (<i>OFF</i>) and on again (<i>On</i>).

Tbl - 12 Malfunctions

- i If the lubricator is connected to an external control system (PLC), for instance, when an error occurs, the differentiated error messages are sent to the PLC for errors *E1 ... E7* as output signals via PIN 4 of the electrical interface of the lubricator (see chapter 7.2 "Output signals / Display messages – Time control").

6.5 Switching the lubricator on/off

To switch on the lubricator, PIN 2 and PIN 3 must be connected to each other at connection M12x1 (see chapter 7.1 "Connection assignment – Time control"). This can either be done permanently by inserting a bridge or made switchable by connecting it with a potential-free limit switch – maximum cable length 5 m.



Switching on

- Switch on the lubricator by completing the connection between PIN 2 and PIN 3.
- Ü When switched on, the settings for discharge time t and number of cycles c are displayed.
- Ü The lubricator then switches to the *ON* display.
- Ü The green LED flashes, the lubricator is in operation.

Lubricant dispensation is carried out by the lubricator according to the presettings for t and c .

Switching off

- Switch off the lubricator by breaking the connection between PIN 2 and PIN 3.
- Ü *OFF* is shown on the display.
- Ü The lubricator is switched off.

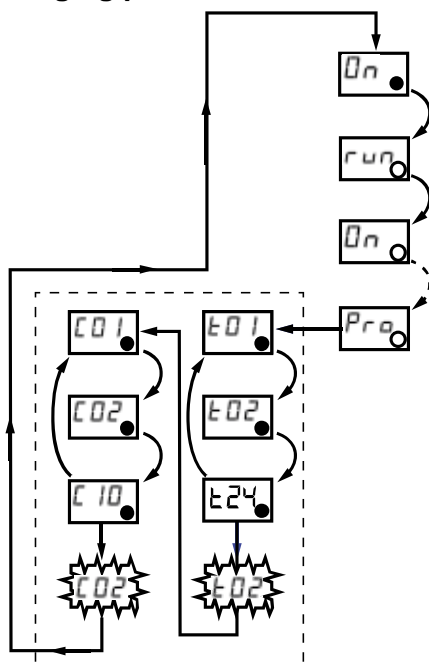
6.6 Parameter change in standard menu (Pro)

Settings for discharge time and number of cycles

The following parameters can be set in the standard menu:

- Discharge time t
- Number of cycles c
- i A description of the individual parameters can be found in chapter 6.1.2 "Factory settings".

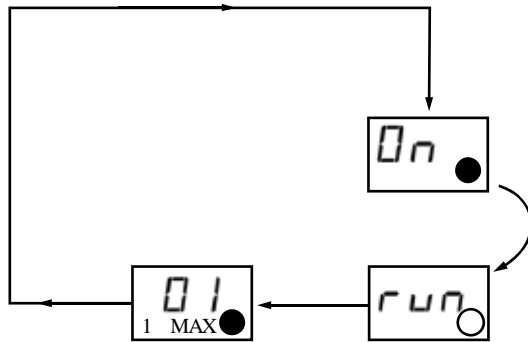
Changing parameters



- Ü Lubricator in operation (*On*).
- Hold the magnetic pen against the action field.
- Ü The LED flashes red and the display shows *run*, *On*, *Pro* in sequence.
- Remove the magnetic pen when *Pro* is displayed.
- Ü The display shows (depending on the lubricator type) the parameters t and c one after the other.
- Hold the magnetic pen against the action field when you see the parameter to be set.
- Ü In the display, the value for the parameter is counted up and starts again from the beginning after the highest value.
- When the desired value is reached, remove the magnetic pen from the action field.
- Ü The set value flashes twice. The display shows the next parameter.
- Ü After the last parameter, the lubricator automatically returns to operation.

6.7 Triggering single lubrication cycle

The lubricator can be used to trigger a single lubrication cycle at any time during operation.

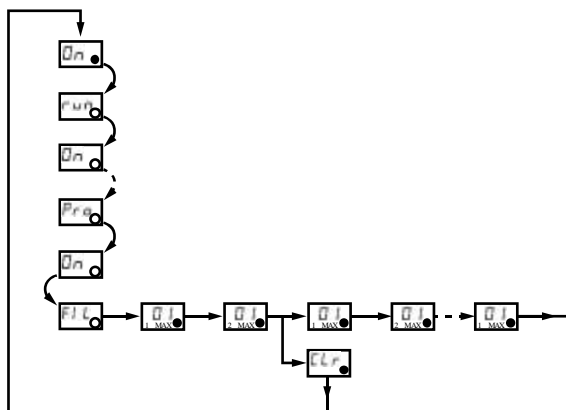


- Ü Lubricator in operation (*On*)
 - Hold the magnetic pen against the action field.
- Ü The LED flashes red.
 - Remove the magnetic pen when *run* is displayed.
- Ü The lubricator performs a single lubrication cycle.
- Ü The display shows the approximate counterpressure and the delivering pump piston.
- Ü After the lubrication cycle is finished, the lubricator automatically returns to operation.

6.8 Triggering the filling function (venting/filling)

The lubricator is delivered with an assembled cartridge, vented and with a pre-assembled mounting bracket.

For venting or filling of the lubrication point, the filling function of the lubricator can be triggered. The lubricator then automatically performs 40 delivery cycles with a total lubrication volume of 6 cm³. The filling function can be canceled manually.



- Ü Lubricator in operation (*On*)
 - Hold the magnetic pen against the action field.
- Ü The LED flashes red and the display shows *run*, *On*, *Pro*, *On*, *FIL* in sequence.
 - Remove the magnetic pen when *FIL* is displayed.
- Ü The lubricator starts the filling process. The display shows the approximate counterpressure and the delivering pump piston.
- Ü After the lubrication cycle is finished, the lubricator automatically returns to operation.

Canceling the filling process

- During the filling function, hold the magnetic pen against the action field.
- Ü The display shows *Clr*.
- Remove the magnetic pen.
- Ü The filling function is canceled. The lubricator automatically goes into operation.

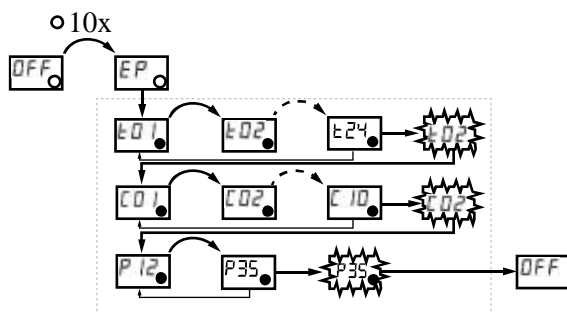
6.9 Changing parameters in the "Advanced programming" menu

	NOTICE
	<p>Changes in the menu can fundamentally affect the operation of the lubricator.</p> <ul style="list-style-type: none"> Only change any advanced programming parameters if you are aware of the effects.

The following parameters can be set in the "Advanced programming" menu:

- Discharge time t
- Number of cycles c
- Pressure P

i A description of the individual parameters can be found in chapter 6.1.2 "Factory settings".

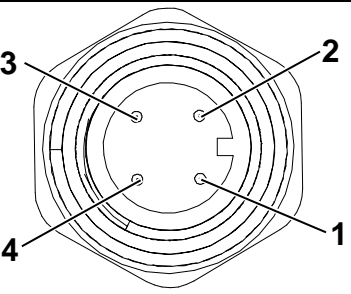


- Ü Lubricator switched off (*OFF*)
- Hold the magnetic pen against the action field.
- Ü The LED flashes red ten times, then the display shows *EP*.
- Remove the magnetic pen when *EP* is displayed.
- Ü The display shows the first parameter that can be changed.
- Hold the magnetic pen against the action field to change the parameter.
- Ü In the display, the value for the parameter is counted up and starts again from the beginning after the highest value.
- When the desired value is reached, remove the magnetic pen from the action field.
- Ü The set value flashes twice. The display shows the next parameter. If the parameter is not changed, the current value flashes twice.
- Ü After the last parameter, the lubricator is automatically switched off (*OFF*).

7 Output signals – Time control

The lubricator operates in time control mode as a time-based and cycle-controlled lubrication system according to the values set in the *PRO* menu.

7.1 Connection assignment – Time control

	PIN	Assignment	Color
	1	+24 V DC (for status monitoring)	Brown
	2	Input ON/OFF	White
	3	Output ON/OFF (GND)	Blue
	4	Output signal – Status monitoring	Black
Type: M12x1 plug socket; 4-pin, A-coded			

Tbl - 13 PIN assignment – Time control

The lubricator can be put into standby when switched off in time control mode. The time until the planned next lubrication cycle having passed before switching off the lubricator is automatically saved by the lubricator in the integrated microelectronics. After the restart, the lubricator continues to operate according to the set values.

- i After a longer standstill of the lubricator, manual triggering of a lubrication pulse is recommended (see chapter 6.7 "Triggering single lubrication cycle").
- i The output signal at PIN 4 can be used for further processing (e.g. indicator light or external control system). The maximum admissible output current of $I_{max} < 20$ mA must not be exceeded. Inductive loads (e.g. relays) must not be connected!

7.2 Output signals / Display messages – Time control

Display	Designation	Output signal (PIN 4)	See chapter
OFF	Switched off	Low, permanent	6.1
On	Ready	Low, permanent	7
E1	Empty cartridge	High, permanent	7.3.2
E2	Cartridge error	High, permanent	7.3.3
E3	Undervoltage	High, permanent	7.3.2
E4/E5	Fatal error	High, permanent	7.3.2
E7	Overload/overpressure	High, permanent	7.3.2

Tbl - 14 Display messages at factory settings

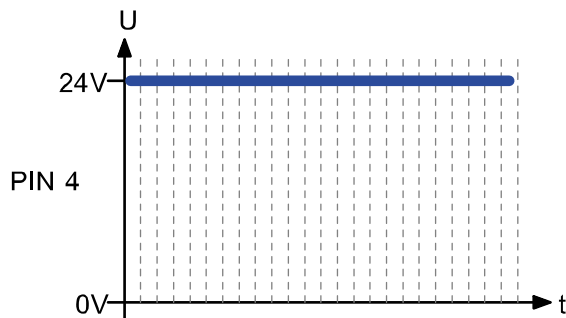
7.3 Standard output signals at PIN 4 – Time control

In the time control mode, the lubricator provides the output signals via the electrical interface. For this purpose, the lubricator must be supplied externally with 24V DC. This also enables remote status control, in addition to the visual indication at the display and LED on the lubricator. Generally the output signals can only be scanned and must not be subject to inductive loads. The maximum output current of $I_{max} < 20 \text{ mA}$ must also be considered.

7.3.1 Empty cartridge signal

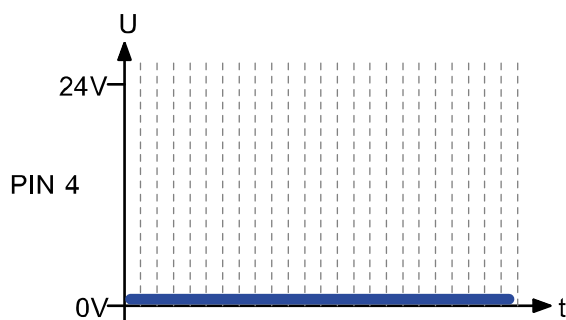
The integrated microelectronics of the lubricator is equipped with an automatic counter, which counts the number of delivery operations after fitting a new and full cartridge. For a cartridge with 125 cm^3 of lubricant, the number of strokes is 780. The low calculative difference serves as protection against the ingress of air into the hydraulic system. This ensures that the empty cartridge message (error *E1*) is sent in time [e.g. to the external control system (PLC)]. Therefore a high output signal can be easily, quickly and reliably recognized by the external control system. An inversion of the output signals is not possible.

7.3.2 High-signal output (+24 V) at PIN 4



A permanent and continuous high signal (+24 V) at PIN 4 indicates that there is **one** active error. The lubricator does not operate according to the settings made and does not deliver lubricant from the cartridge to the outlet.

7.3.3 Low-signal output (0 V) at PIN 4



A permanent and continuous low signal (0 V) at PIN 4 indicates that there is **no** active error. The lubricator operates according to the settings made and delivers lubricant from the cartridge to the outlet.

8 Maintenance and disposal

- Before carrying out any maintenance or work, please note the general safety instructions (see chapter 2 "Safety") and observe all applicable local and operational safety regulations.
- Do not disable any protective device without authorization!

8.1 Maintenance schedule

The following maintenance schedule for the lubricator must be observed:

Maintenance	Commissioning	After 500 hours or after 3 months	Annually	If necessary
Visual inspection	X	X	X	X*
Cleaning	X	X	X	X*
Changing the cartridge/battery	X**		X***	X*
* Depending on application conditions and lubricant consumption ** Depending on the delivery condition (ordered version) *** Recommended after 2 years at the latest				


Tbl - 15 Maintenance schedule.

8.1.1 Visual inspection


- Check the entire lubrication system (lubricator and any connected accessories including cords, hoses and distributors) by careful visual inspection for external damage (e.g. loose connections).
- Check the condition of the lubrication point for correct lubricant supply.
- Replace damaged or defective parts immediately to ensure a continuous and permanent lubrication.
- Check the fill level in the cartridge on the lubricator.
- Check any error messages at the lubricator and correct the causes respectively.

8.1.2 Cleaning

- Clean the lubricator by suitable means (e.g. absorbent cloths) to remove dirt.

	NOTICE
	<p>Among other things, compressed air can lead to damage to the seals of the lubricator and to contamination of the lubricator or lubricant by dirt and particles.</p> <ul style="list-style-type: none"> · Do not use compressed air for cleaning the lubricator.

8.1.3 Changing the cartridge and battery

	NOTICE
	<p>Already opened lubricant cartridges must not be reattached to the lubricator, as the integrated stroke counter is automatically reset after a cartridge is removed.</p> <ul style="list-style-type: none"> Always use full lubricant cartridges.
	<p>Only use original lubricant cartridges with lubricants approved by WITTENSTEIN alpha GmbH.</p> <ul style="list-style-type: none"> Observe the maximum storage time of lubricants filled in cartridges.
	<p>Refilling of empty or open lubricant cartridges is not possible.</p> <p>Make sure that the same lubricant is used in the new cartridge as already used before. Make sure that only cartridges with the same capacity are used.</p> <ul style="list-style-type: none"> Compare the specifications on the lubricant cartridge.
	<p>The battery of the lubricator must be replaced at the same time as the lubricant cartridge.</p> <ul style="list-style-type: none"> Observe the battery safety instructions.

The following table indicates the available lubricant cartridges and the replacement battery:

Designation	Lubricant	Capacity	Material number
LUE+125-05-1	WITTENSTEIN alpha G11	125 cm ³	20068231
LUE+125-06-1	WITTENSTEIN alpha G12	125 cm ³	20068233
LUE+125-07-1	WITTENSTEIN alpha G13	125 cm ³	20068236
LUE+125-00-1	Klüber Microlube GB0	125 cm ³	20068238
Battery LUC+125	-	-	20068247

Tbl - 16 Exchange cartridges.

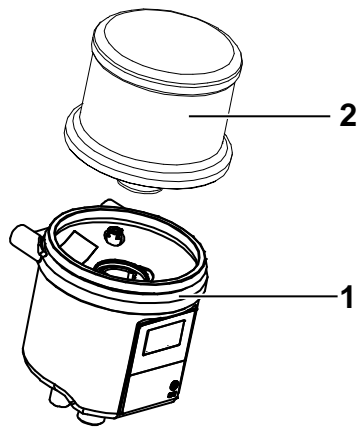
Changing lubricant cartridges is easy and only requires two steps.

The cartridge and battery only need to be changed if the cartridge is empty, the battery is empty, or if the useful life of the lubricant was exceeded. Cartridges and batteries can be changed during normal operation of the lubricator. Besides changing the cartridge and battery, no additional measures are necessary!

Ü A malfunction has occurred at the lubricator (error *E1*, *E3*); the red LED flashes every 5 seconds to visually indicate an error.

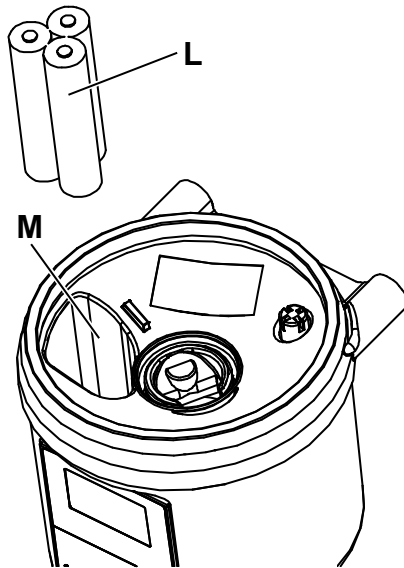
OR

Ü The battery of the lubricator is completely empty, the display is dark (*OFF* is not shown).



Unscrew the empty cartridge of the lubricator.

- Turn the empty cartridge [2] counter-clockwise to remove it from the lubricator [1] and dispose of it in compliance with applicable regulations.
- i Ensure that the work is carried out under clean conditions. Dirt and particles must not enter the lubricant inlet. If necessary, clean before you start working (chapter 8.1.2 "Cleaning").



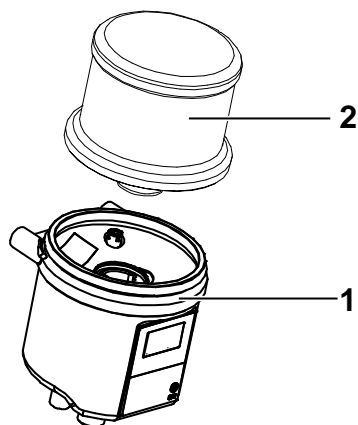
Remove the empty battery.

- Pull the empty battery [L] out of the battery compartment [M] with the battery cable.
- Release the polarity-protected connection and properly dispose of the empty battery after completing the work.

Inserting the new battery

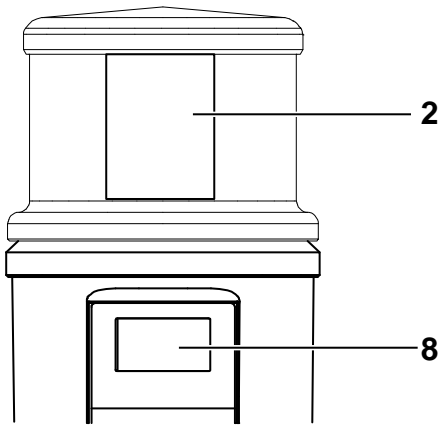
Wait at least 60 seconds before inserting the new battery!

- Connect the new battery [L] to the battery cable via the polarity-protected connector.
- Place the battery and battery cable into the battery compartment [M].
- i Ensure that the battery cable or connector do not protrude out of the battery compartment.



Connection of the new lubricant cartridge

- Set the full lubricant cartridge [2] on the lubricator [1].
- Turn the lubricant cartridge clockwise to tighten it to the lubricator.



- i The final position is reached after two full turns when the label of the lubricant cartridge [2] is aligned flush with the front cover [8] of the lubricator.

- Ü If error *E1* was shown on the display before the cartridge and battery were changed, the display expires and the red LED flashes every 5 seconds. Separate acknowledgment is not required. The green LED flashes briefly every 5 seconds.
- Ü After completion, the lubricator automatically returns to the last active mode (*On/OFF*).
- i If the empty cartridge (error *E1*) occurred during a dispensing cycle (delivery), it is automatically interrupted and continued after the work is completed.

8.2 Recommissioning

- Reinstall all safeguards and make sure that all tools have been removed from the hazard area.
- Make sure that the lubricator is activated.

8.3 Disposal

- For disposal of the lubricator as well as any empty or opened cartridges, applicable national regulations must be observed.
 - For disposal, the respective safety data sheets and disposal instructions for the individual components must be observed.
-
- i Refilling of empty lubricant cartridges is not possible.
 - i Recharging of batteries is not possible.

9 Appendix

9.1 EC/EU declaration of conformity

DLS
SCHMIERSYSTEME
DIRECT LUBRICATION SYSTEMS

Declaration of EG conformity

According to the Machinery Directive 2006/42/EG of 2006, May 17th



Herewith the manufacturer
DLS Schmiersysteme GmbH; Gewerbering 5; D-82140 Olching
Declare that the following lubricating system

FlexxPump 125B

Delivered by us, concerning design and construction as well as the model put into circulation, comply with the EG directives 2006/42/EG. In particular, the following harmonized standards were applied:

EN 12100:2011-03 Safety of machinery

According to the EG directive on Electromagnetic Compatibility 2014/30/EU

The manufacturer herewith declares that the following lubrication system

FlexxPump 125B

Delivered by us, concerning design and construction as well as the model put into circulation, comply with the above-mentioned EU directive. In particular, the following harmonized standards were applied:

EN 61000-6-2, EN 61000-6-4 Electromagnetic Compatibility (EMC)

Authorized representative for the compilation of technical documentation:
Reiner Hochholzer
Geschäftsführer
DLS Schmiersysteme GmbH
Gewerbering 5
D-82140 Olching

Olching, 18.02.2020



Reiner Hochholzer; Geschäftsführer

DLS Schmiersysteme GmbH
Gewerbering 5
D-82140 Olching
+49 8142 650 690
+49 8142 650 6929
www.dls-schmiersysteme.de

Revision history

Revision	Date	Comment	Chapter
01	03/17/2022	New version	All



alpha

WITTENSTEIN alpha GmbH · Walter-Wittenstein-Straße 1 · 97999 Igersheim · Germany
Tel. +49 7931 493-12900 · info@wittenstein.de

WITTENSTEIN – one with the future
www.wittenstein-alpha.de