

## Lubricating pinions – the new generation

Open porous polyurethane foam stores the lubricant and delivers it uniformly



Axis without disturbing contours (flush screw!)



**Extremely low wear**  
(also at highest speeds)  
because of sliding bushing

Axis borings with blind hole threads facilitates a precise positioning of the lubricant connection



### Lubricating pinions and axles perfectly harmonized with the pinion steering rack systems:

Like our drives, lubricating pinions made of polyurethane are designed for long service life.

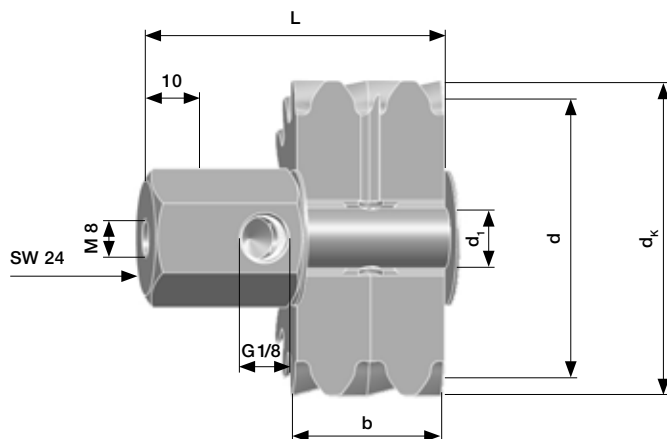
**Reduced maintenance due to significantly increased service life - regular exchange intervals are something of the past!**

#### Characteristics which underscore the long service life:

- No hardening of the lubricating medium or contamination, also with long contact
- Sliding bushing ensures low wear and tear, also at highest speeds
- Almost no restrictions on type of lubricant employed

A well-conceived design makes even more compact connections possible, increasing the possible degrees of design freedom.

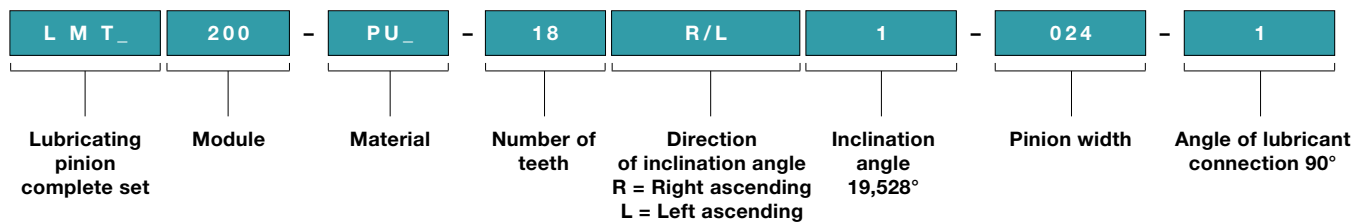
## Lubricating pinions – Generation 2



Module	Number of teeth	Application	Order No.	Order Key	d	d <sub>1</sub>	d <sub>k</sub>	b	L
2	18	Rack	20053903	LMT 200-PU-18L1-024-1	38,2	12	42,2	24	55,4
		Pinion	20053904	LMT 200-PU-18R1-024-1					
3	18	Rack	20053905	LMT 300-PU-18L1-030-1	57,3	12	63,3	30	61,4
		Pinion	20053906	LMT 300-PU-18R1-030-1					
4	18	Rack	20053907	LMT 400-PU-18L1-040-1	76,4	12	84,4	40	71,4
		Pinion	20053908	LMT 400-PU-18R1-040-1					
5	17	Rack	20053909	LMT 500-PU-17L1-050-1	90,19	20	100,2	50	81,4
		Pinion	20053910	LMT 500-PU-17R1-050-1					
6	17	Rack	20053911	LMT 600-PU-17L1-060-1	108,23	20	120,2	60	91,4
		Pinion	20053912	LMT 600-PU-17R1-060-1					
8	17	Rack	20053913	LMT 800-PU-17L1-080-1	144,3	20	160,3	80	111,4
		Pinion	20053914	LMT 800-PU-17R1-080-1					

Connecting piece for hose dia. 6x4 mm is included in the delivery. Axle with lubricant connection in axial direction (0° version) available on request. Lubricating pinion must be pre-lubricated before commissioning. Obtain CAD data at: [www.wittenstein-alpha.de/en/cad-daten](http://www.wittenstein-alpha.de/en/cad-daten)

Order Key



WITTENSTEIN alpha – intelligent drive systems

[www.wittenstein-alpha.com](http://www.wittenstein-alpha.com)