

WITTENSTEIN motion control supplies advanced highly integrated electromechanical drive systems of the utmost reliability: rotary and linear motion – easy and intuitive to integrate and control.

State-of-the-art engineering, leading edge technology know-how and broad experience combined with creativity and awareness of the future are the main factors for successful development projects. The close cooperation of our experts with yours guarantees solutions that best fit your requirements. All our customized products are designed according to military standards for extreme environmental conditions. All WITTENSTEIN employees take pride in our convincing solutions, superior product quality, on-time-delivery as well as fast track service and support.



Solutions for Special Applications under Extreme Conditions for Air, Ground and Sea

Your Benefits:

- Customer oriented system engineering
- Short term development and manufacturing of customized designs
- Production and assembly based on tried-and-tested manufacturing processes
- Maintenance free products
- Worldwide customer support
- Systems easy and intuitive to handle and control due to customer specific interfaces

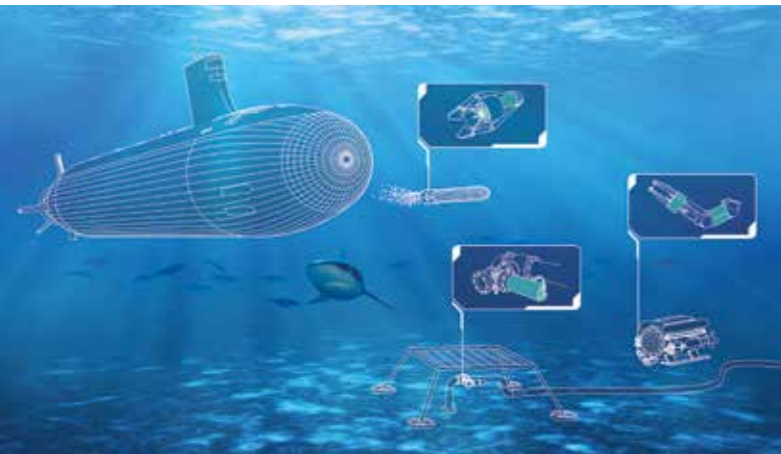
Contact

WITTENSTEIN motion control GmbH
Walter-Wittenstein-Straße 1
97999 Igersheim
Germany

Tel. +49 7931 493-0
Fax +49 7931 493-10915

WITTENSTEIN – one with the future

www.wittenstein-motion-control.de



Serving Technology Markets

- Oil & Gas / Subsea
- Military
- Aerospace
- Robotics
- Medicine
- E-mobility
- Industry

Safety Reliability Competence

Integrated Systems from One Source

suitable for

SIL 3
Safety Integrity Level
IEC 61508

Photo: © Statoil 2010



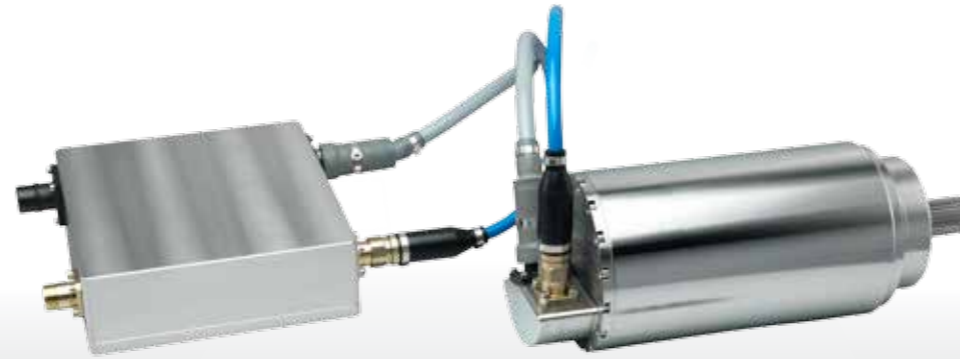
Our Know-how:

In-house design and manufacturing of mechatronic solutions which are:

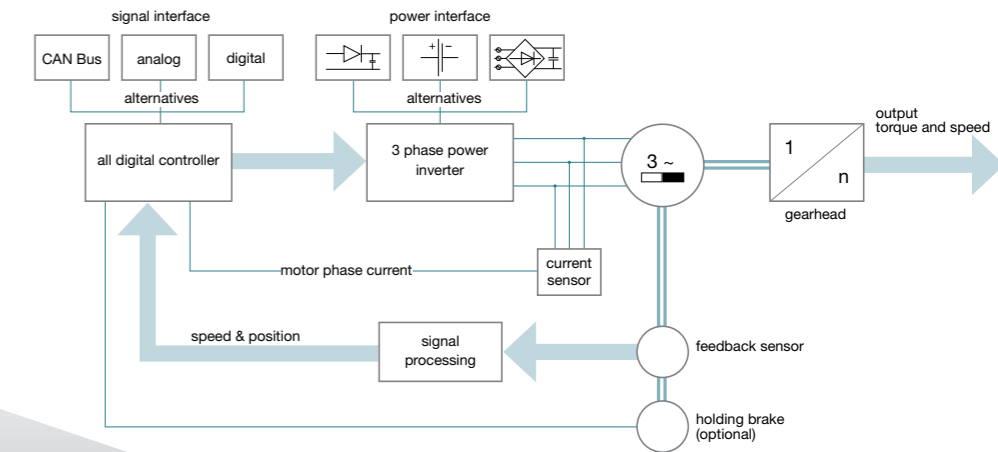
- Highly integrated
- Highly reliable
- Highly accurate and dynamic
- Built for extreme environmental conditions
- Built to fit under strict space restrictions

WMC_special_applications_energy_en_2014_1 Changes reserved!

Integrated Systems from One Source: WITTENSTEIN motion control



Perfectly Harmonized Components for a Closed Loop Motion Control



Specialized in power and control electronics for high and low voltage technology

- Product range from 18V up to 900V DC bus voltage
- AC 3 phase input with active PFC, optional
- Up to 1,000A output current
- Customized housings and electric interfaces
- Ambient temperature up to 165°F / 75°C
- Resistant against shock and vibrations
- EMC-qualified
- Protected against explosions (ATEX), optional
- MTBF 100,000 hours (e.g.)
- Suitable for safety concepts (SIL 3 / IEC 61508), optional
- Full redundancy, optional
- Digital controllers with field proven software
- Several control interfaces (CANopen, Ethernet)



Specialized in brushless servomotors with high performance technology

- Product range from 10W up to 200kW & 18V to 900V
- Ambient temperature up to 480°F / 250°C
- Operation in high radiation environment, optional
- Operation in oil and other fluids, optional
- Pressure resistant up to 25,000 psi / 1,800 bar
- Extremely high power density
- Extraordinary overload capacity
- MTBF: 395,000 hours (e.g.)
- Several feedback options
- Full redundancy, optional



Specialized in gear technology with low-backlash, highest precision, highest reliability

- Based on widely deployed WITTENSTEIN technology
- Product range up to 40,000 Nm output torque
- Planetary gear ratios 4:1 to 220:1 standard, others optional
- Extraordinary overload capacity
- Extremely high mechanical stiffness
- Standard backlash < 1 arc min
- Ambient temperatures -67°F ...+260°F / -55°C ...+125°C
- MTBF: 320,000 hours (e.g.)
- WITTENSTEIN special gear technology: hollow shaft, highest load density



All our products are designed for extreme environmental conditions and based on common modules – built and assembled in reliable manufacturing processes of the WITTENSTEIN group

